



AMERICAN GEM SOCIETY LABORATORIES®

Diamond Quality™ Report

AGS 104068271001

November 13, 2013

Shape and Style **Marquise Brilliant**

Measurements: 10.13 x 5.52 x 3.87 mm
Weight: 1.270 cts.

Proportions

Total Depth: 70.1%
Table: 54.2%
Girdle: Thin to Extremely Thick, Faceted
Culet: Pointed

Finish

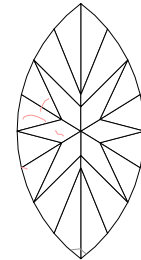
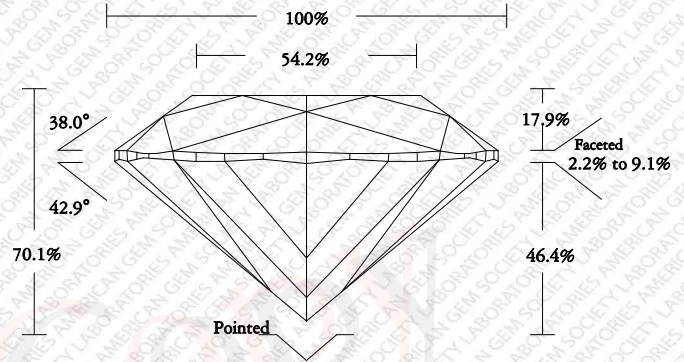
Polish: Good
Symmetry: Good

Color Grade **AGS 1.5 (G)**

Clarity Grade **AGS 7 (SI2)**

Comments

Fluorescence: Negligible
"AGSL 104068271001" has been inscribed on the girdle of this diamond.
Additional twinning wisps and surface graining are not shown.



Key to Symbols

- Twinning Wisp
- Feather
- Extra Facet



PLOT INFORMATION: The Clarity grade is diagrammed using the clarity symbols contained in the *AGS Diamond Standards Manual*. Red marks indicate inclusions; green marks indicate external blemishes.

Color Scale	AGS	GIA	0	0.5	1.0	1.5	2.0	2.5	3.0	3.5	4.0	4.5	5.0	5.5	6.0	6.5	7.0	7.5	8.0	8.5	9.0	9.5	10.0	To	Fancy Yellow		
			D	E	F	G	H	I	J	K	L	M	N	O	P	Q	R	S	T	U	V	W	X	Y	Z	Fancy Yellow	
			COLORLESS			NEAR COLORLESS			FAINT			VERY LIGHT			LIGHT												

Clarity Scale	AGS	GIA	0	1	2	3	4	5	6	7	8	9	10
			FLAWLESS / IF	VVS1	VVS2	VS1	VS2	SI1	SI2	I1	I2	I3	

THIS REPORT IS NOT A WARRANTY, GUARANTEE, OR APPRAISAL OF VALUE.

IMPORTANT NOTICE: All three quality factors of Cut, Color, and Clarity can dramatically affect the beauty and value of a diamond. Because of cutting, diamonds with the same color and clarity grades can vary in value by as much as 50% or more. Therefore, it is advisable to consult a Certified Gemologist® or other credentialed gemologist, before purchasing this Diamond.

THIS IS A REPRESENTATION OF THE ACTUAL DOCUMENT